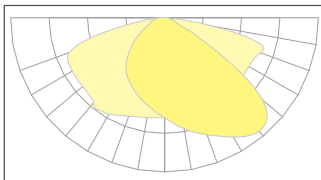


**5** YEAR WARRANTY  
\*Suitable for 10-12 hours daily usage of the product for 24 hours a day would void warranty



	VT-55	VT-105
<b>POWER</b>	50W	100W
<b>CCT</b>	4000K	4000K
<b>LUMENS</b>	6500LM	13000LM
<b>PROTECTION</b>	IP65 IK08	IP65 IK08
<b>CRI(Ra)</b>	80	80
<b>VOLTAGE</b>	AC175-305V	AC175-305V
<b>FREQUENCY</b>	50Hz	50Hz
<b>BEAM ANGLE</b>	TYPE III M	TYPE III M
<b>PF</b>	>0.9	>0.9
<b>LIFE</b>	30000H	30000H
<b>SURGE PROTECTION GRADE</b>	10KV	10KV
<b>MOUNTING DIAMETER</b>	60MM	60MM

**Light distribution curve:**



The light source of this luminaire is not replaceable, when the light source reaches its end of life the whole luminaire should be replaced by the manufacturer or his service agent or a qualified electrician.

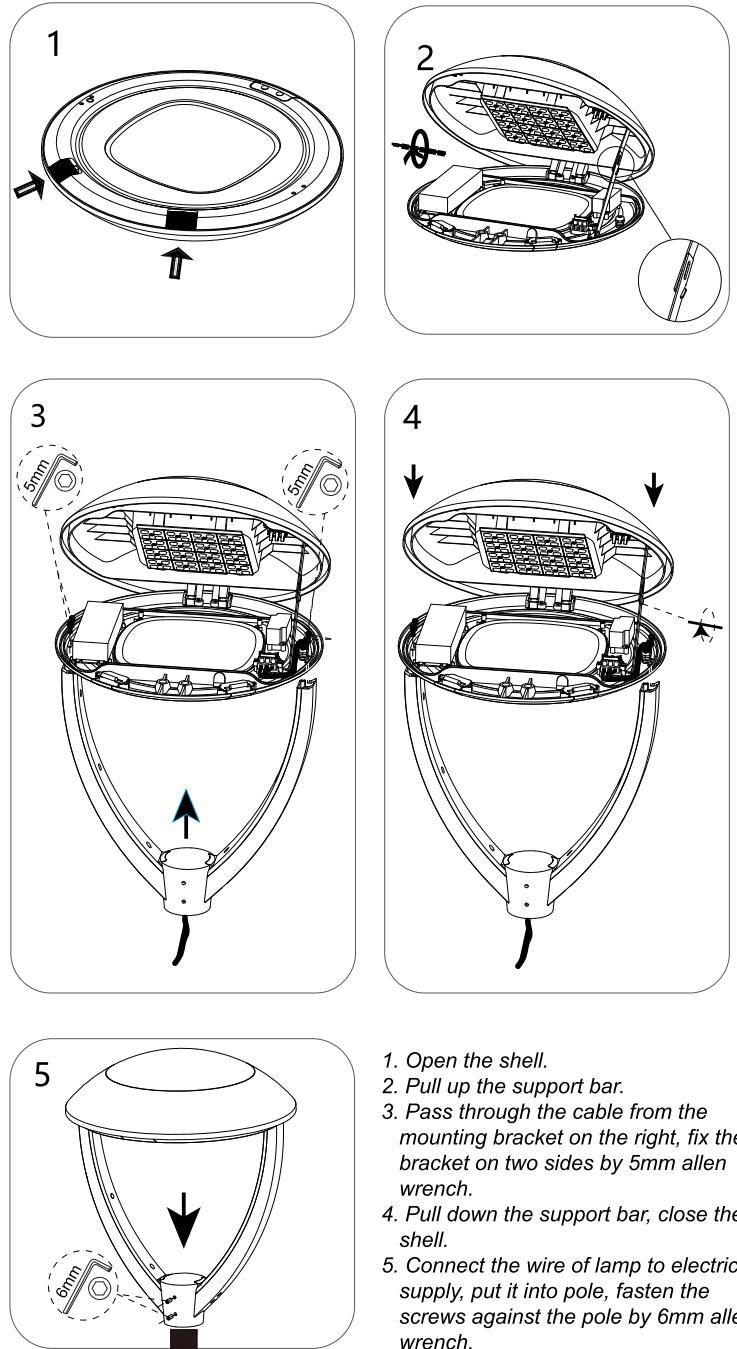


Caution, risk of electric shock



This marking indicates that this product should not be disposed with other household wastes throughout the EU.

**INSTALLATION DIAGRAM:**



1. Open the shell.
2. Pull up the support bar.
3. Pass through the cable from the mounting bracket on the right, fix the bracket on two sides by 5mm allen wrench.
4. Pull down the support bar, close the shell.
5. Connect the wire of lamp to electric supply, put it into pole, fasten the screws against the pole by 6mm allen wrench.

**WIRING DIAGRAM:**

Class II Standard



1. Connect supply wires to luminaire wire leads per the wiring diagram using methods that comply with all applicable codes.
2. Turn power on.

