

INSTALLATION INSTRUCTION
LED EMERGENCY EXIT LIGHT



3 YEARS WARRANTY

IP65 RATING

INTRODUCTION & WARRANTY

Thank you for selecting and buying V-TAC product. V-TAC will serve you the best. Please read these instructions carefully before starting the installation and keep this manual handy for future reference. If you have any another query, please contact our dealer or local vendor from whom you have purchased the product. They are trained and ready to serve you at the best. The warranty is valid for 3 years from the date of purchase. The warranty does not apply to damage caused by incorrect installation or abnormal wear and tear. The company gives no warranty against damage to any surface due to incorrect removal and installation of the product. This product is warranted for manufacturing defects only.

WARNING:

- Please make sure to turn off the power before starting the installation.
- The light source of this luminaire is not replaceable; when the light source reaches its end of life the whole luminaire shall be replaced.
- Installation should only be done by a certified electrician.
- Proper grounding should be ensured throughout the installation.
- The device must be connected to the main power supply through a fuse dependent by the total amount of the line's power load.
- Installation should be carried out in accordance with the latest edition of the wiring regulations and taking into consideration the latest building regulations.
- Ensure that all electrical connections are tight with no loose strands, including factory made connections.
- Ensure there is adequate free air circulation of at least 100mm around the luminaire. It is the installer's responsibility to consider fire risk and take appropriate precautions.
- A separate enclosure may be required if this unit is to be used in dusty and wet environments.
- The luminaire contains no user replaceable components other than the battery pack contained in emergency versions.
- The battery has a 2 years warranty provided it is operated and maintained by regular testing, as detailed in this Usermanual. Failure to maintain or change the battery may result in reduced duration in emergency mode.

This marking indicates that this product should not be disposed of with other household wastes.

Caution, risk of electric shock.



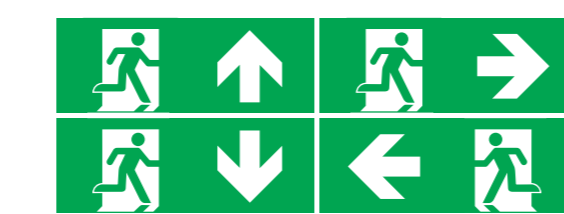
MULTI-LANGUAGE MANUAL QR CODE

Please scan the QR code to access the manual in multiple languages.

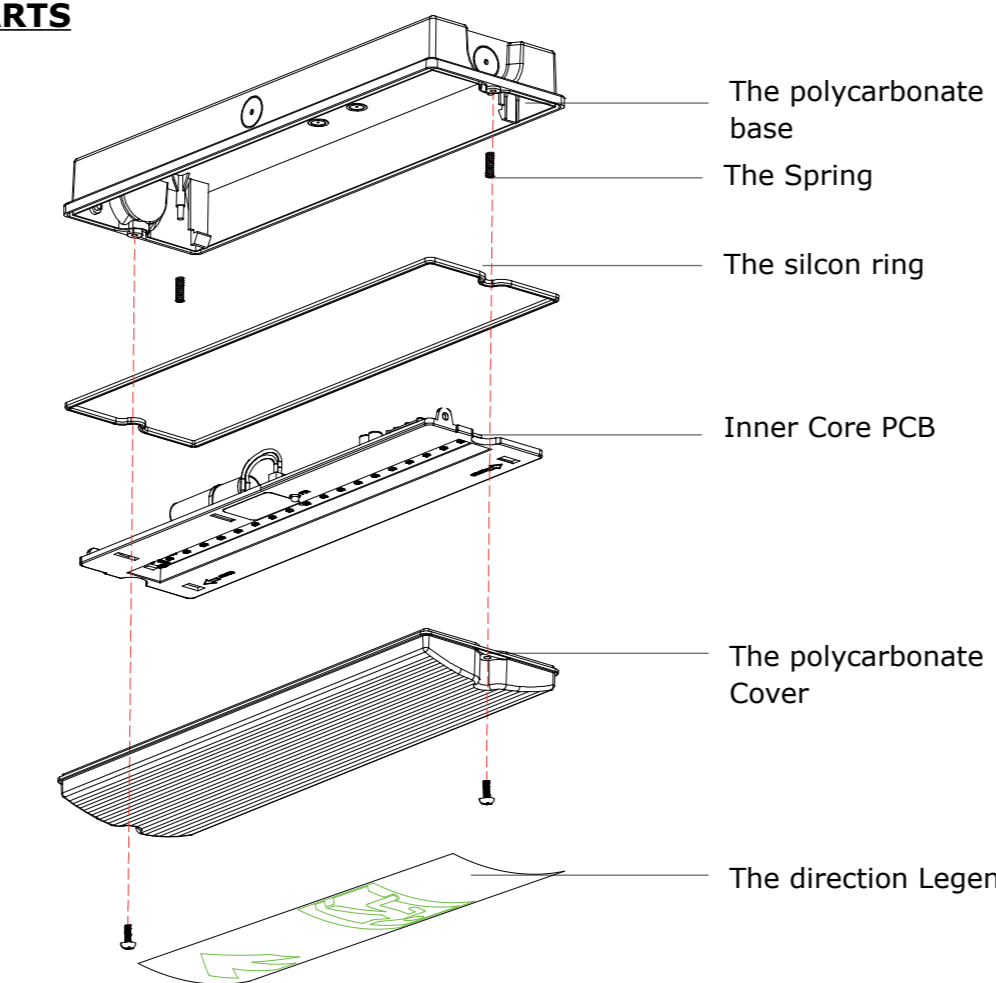
TECHNICAL DATA

Model	VT-996
Emergency Watts	>1.2 Watts
Emergency Operation time	>3 Hours
Lumen	130lm
Battery Charging Current	150mA
Battery Type	LiFePO4, 3.2V 1.5Ah
Test Button	Included
Test	with manual test button
Charging indicate	Green LED
Battery protection circuit	Included
Low Voltage inspection	Included
Inhibit mode	Included
Lamp Type	Emergency Bulkhead
Watts maintained mode	3.0W
Non-maintained mode	1.5W
CCT	6400K
CRI	>80
Voltage	200-240V/AC 50/60Hz
Beam angle	120°
Dimensions	L350 * W110 * H56mm
Viewing Distance	22 Meters
Stickers	4 Ways different legends
Material	100% Polycarbonate
LED Chips	18pcs 2835
Warm up time	<0.1S
Standard	60598-2-22:2014
Charging time	24 hours
Standard of Legend	ISO7010 & ISO3864-1/4
LED lifespan	50,000 Hours
Faulty indicator	N/A
Non-maintained mode	
If AC supply normal	EM LED ON - 130LM
If AC supply failure	EM LED OFF - 130LM
Maintained mode	
If AC supply normal	EM LED ON - 130LM
If AC supply failure	EM LED OFF - 0LM
Dimension	110x350x56mm

PACKAGE LIST



ITEM PARTS



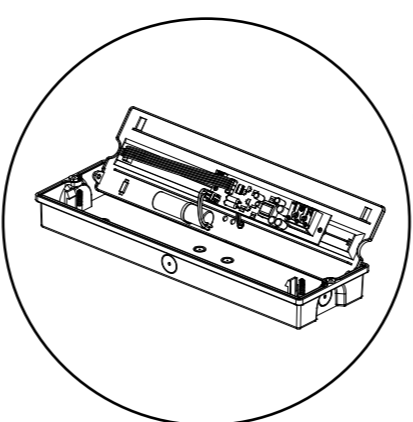
The polycarbonate base
The Spring

The silicon ring

Inner Core PCB

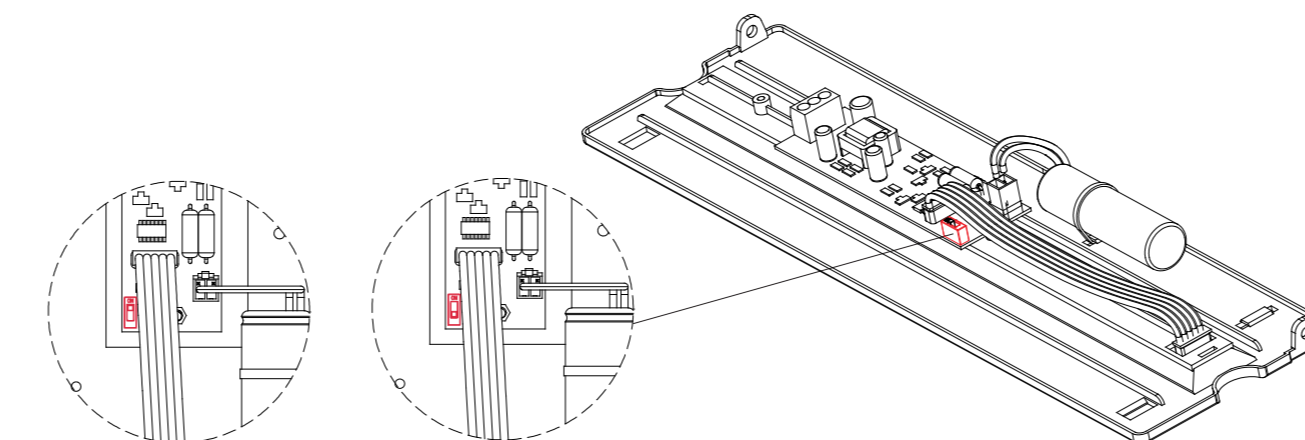
The polycarbonate Cover

The direction Legend



LED Chips
Green charging indicator
TEST button
Battery Pack

MAINTAINED & NON-MAINTAINED CHANGEOVER



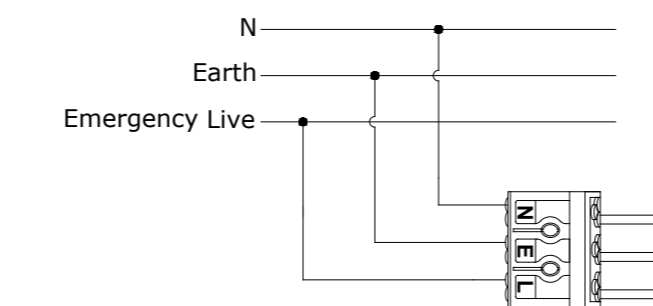
a) Maintained mode b) Non-Maintained mode

MAINTAINED & NON-MAINTAINED WORK MODE

a) Dip switch ON. It works in maintained mode; b) Or it works in non-maintained mode.

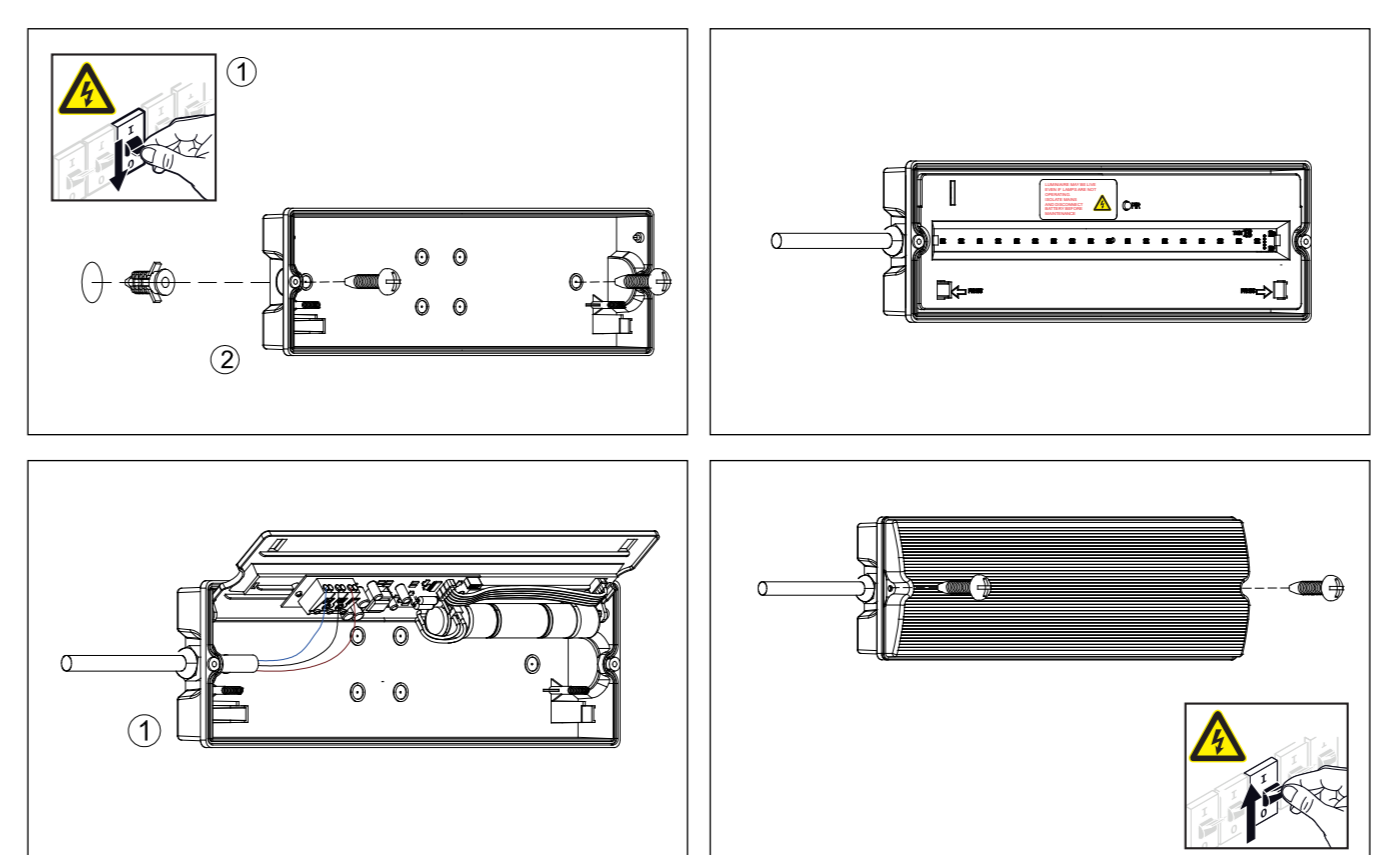
EMERGENCY FUNCTION TEST BEFORE INSTALLATION

- Please make sure to turn off the power before starting the installation.
- Connect the wires as per the wiring diagram. Keep the switch live off, and battery plugged on. (The green charging indicator on, Faulty indicator off)
- Press the test button, The charging indicator off, and emergency function activated
- Unplugged the battery, charging indicator OFF, the faulty indicator flash in 1HZ.



! The mains have to be off during the installation or maintenance.
! Keep the product far from heat sources and in a well ventilated area.

INSTALLATION DIAGRAM



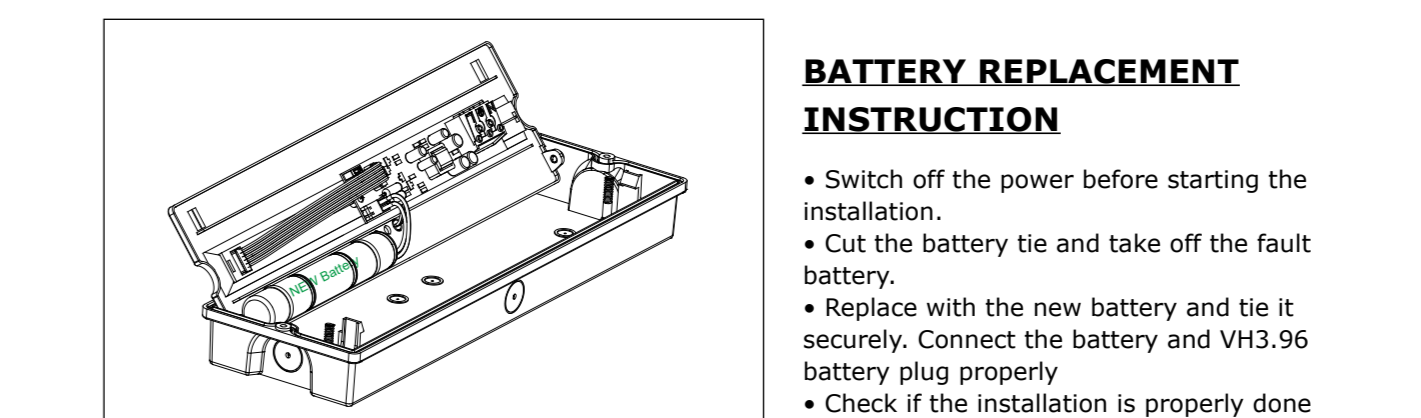
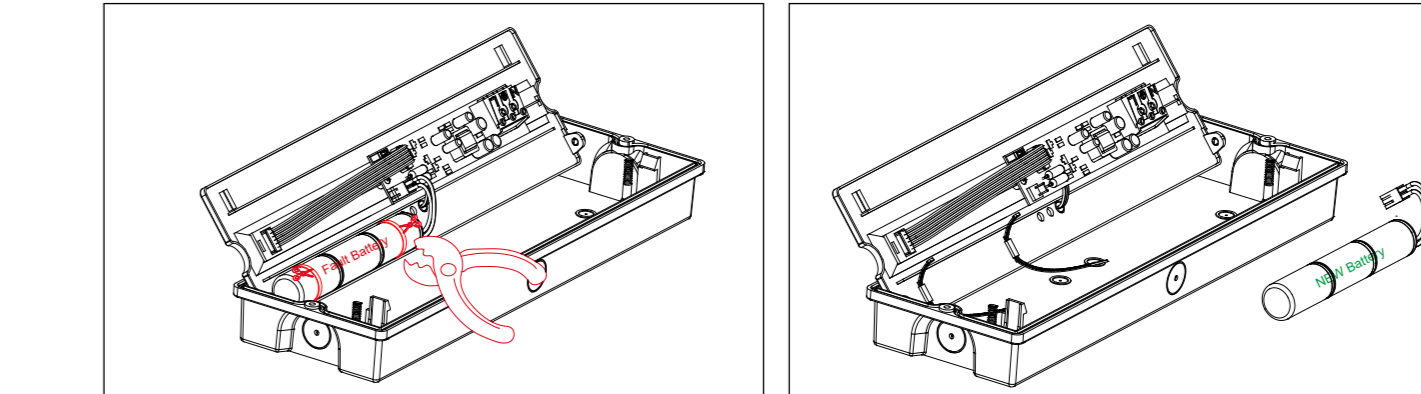
INSTALLATION INSTRUCTION

- Switch off the power before starting the installation.
- Knock out the cable hole
- Install the base on the wall
- Fix the cable by M20
- Connect the cable to the driver
- Connect the battery pack
- Chose right work mode by dip switch
- Fix the middle plate
- Fix the diffuser
- Switch on the power and test the light

EMERGENCY LUMINAIRE DESIGNATION

X	1	A*C*E	180
---	---	-------	-----

BATTERY REPLACEMENT DIAGRAM



BATTERY REPLACEMENT INSTRUCTION

- Switch off the power before starting the installation.
- Cut the battery tie and take off the fault battery.
- Replace with the new battery and tie it securely. Connect the battery and VH3.96 battery plug properly
- Check if the installation is properly done before putting back the base cover.

MAINTENANCE INFORMATION

PARTS:

- The luminaire contains no user replaceable components other than the battery pack contained in emergency versions.

BATTERY:

- It is operated and maintained by regular tests, as described in detail in this document.
 - The battery must be replaced in case it cannot support the minimum duration autonomy of 3 hours.
- Suspension of product operation: in case of not using the product for a period of the installer must execute the following steps:
1. Disconnect the main power supply.
 2. Press the test button one time.
 3. After button is pressed the LED will stop emitting and the operation of battery protection will start.
- If the above sequence did not apply then the battery will discharge on a certain limit until the battery protection operation starts.

Minimum recommended test schedule:

- Daily: check that the green indicators is active and the red error indicator is inactive.
 - Monthly: check that the green indicators is active and the red error indicator is inactive (After the monthly self-test).
 - Annually: check that the green indicators is active and the red error indicator is inactive (After the monthly self-test).
- NOTE: If red error indicator is activated after any of the above or if the luminaire does not work as described in this document, contact the installer.

GENERAL INSTRUCTIONS

MONTH	TEST	FIRST YEAR		SECOND YEAR		THIRD YEAR		FOURTH YEAR		FIFTH YEAR	
		SIGNED	DATE	SIGNED	DATE	SIGNED	DATE	SIGNED	DATE	SIGNED	DATE
1	FUNCTIONAL										
2	FUNCTIONAL										
3	FUNCTIONAL										
4	FUNCTIONAL										
5	FUNCTIONAL										
6	1 HOUR										
7	FUNCTIONAL										
8	FUNCTIONAL										
9	FUNCTIONAL										
10	FUNCTIONAL										
11	FUNCTIONAL										
12	3 HOUR										

