

INSTALLATION INSTRUCTION SPOTLIGHT FITTING

TECHNICAL DATA:

MODEL	VT-981
BODY TYPE	PC
BASE	GU10
DIMENSION	Ø92.5x33mm
CUT OUT SIZE	Ø70mm
INPUT POWER	AC: 220-240V, 50Hz



INTRODUCTION & WARRANTY

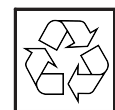
Thank you for selecting and buying V-TAC product. V-TAC will serve you the best. Please read these instructions carefully before starting the installation and keep this manual handy for future reference. If you have any another query, please contact our dealer or local vendor from whom you have purchased the product. They are trained and ready to serve you at the best. The warranty is valid for 3 years from the date of purchase. The warranty does not apply to damage caused by incorrect installation or abnormal wear and tear. The company gives no warranty against damage to any surface due to incorrect removal and installation of the product. This product is warranted for manufacturing defects only.

WARNING!

1. Please make sure to turn off the power before starting the installation.
2. Installation must be performed by a qualified person.
3. For Indoor Purpose Only



This marking indicates that this product should not be disposed of with other household wastes.



Caution, risk of electric shock.

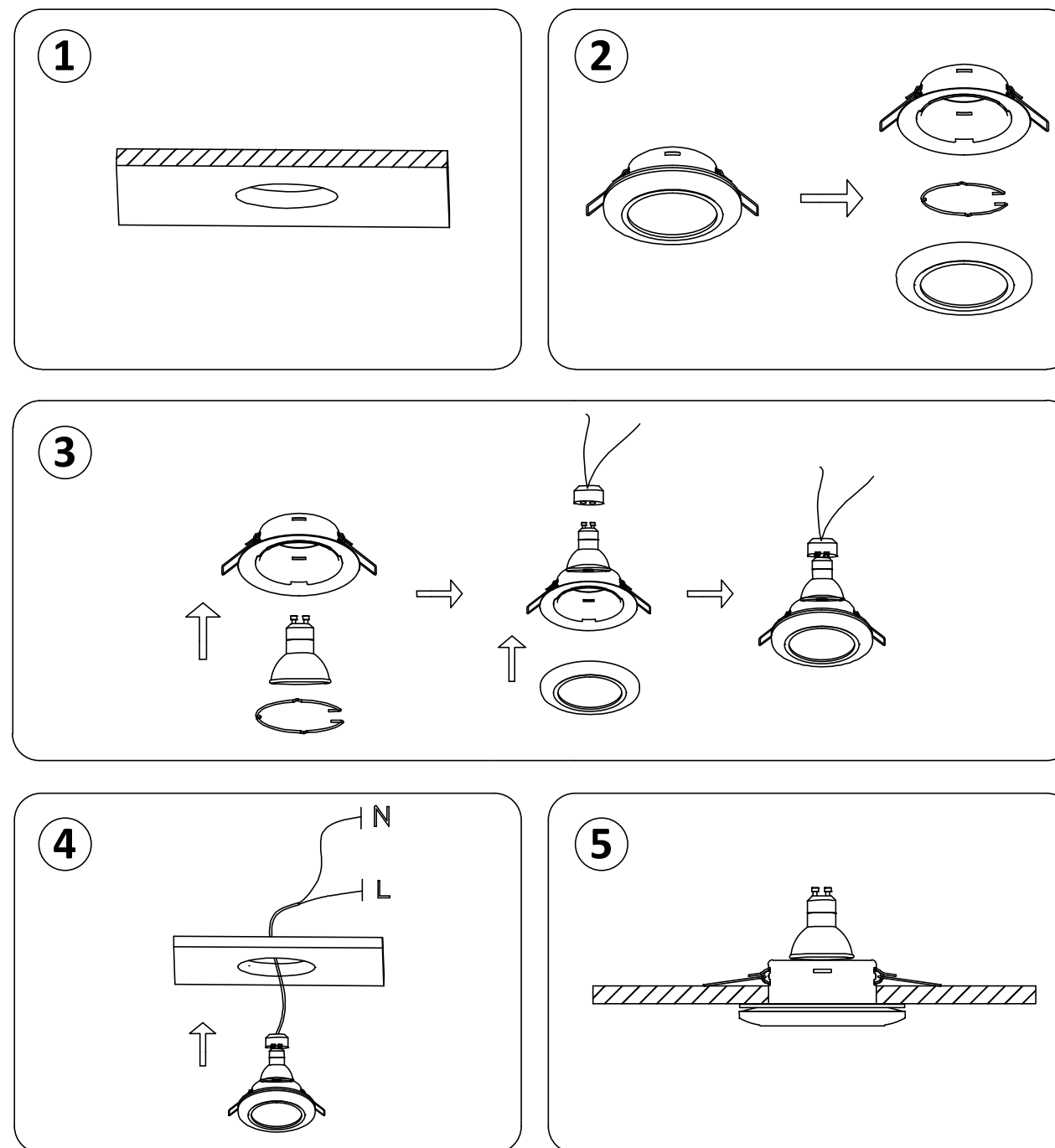


MULTI-LANGUAGE MANUAL QR CODE

Please scan the QR code to access the manual in multiple languages.



INSTALLATION DIAGRAM:



INSTALLATION INSTRUCTION

- Switch off the power before starting the installation.
- Cut a hole in the ceiling as per the cutout (70mm).
- Open the front cover (Rotate anti-clockwise).
- Remove the clip and insert the bulb into the fitting. Insert the clip the back to the fitting.
- Put the front cover back (Rotate clockwise).
- Install the bulb into the holder.
- Holding the springs upwards and with the fitting hanging down, put the fitting into the hole and allow springs to pull the fitting up to the ceiling.
- Connect L & N wires and test the light.